

Light Tower
RL4000



GeneratorJoe

4016 Quartz Drive
Santa Rosa, CA 95405
Phone: 707 539-9003
Fax: 707 539-5212
Email: sales@generatorjoe.NET
Web www.generatorjoe.NET

Light Tower

4016 Quartz Drive
Santa Rosa, CA 95405
Phone: 707 539-9003
Fax: 707 539-5212
Email: sales@generatorjoe.NET
Web www.generatorjoe.NET

LIGHT TOWER
RL4000



Light Tower RL4000



GeneratorJoe

4016 Quartz Drive
 Santa Rosa, CA 95405
 Phone: 707 539-9003
 Fax: 707 539-5212
 Email: sales@generatorjoe.NET
 Web www.generatorjoe.NET

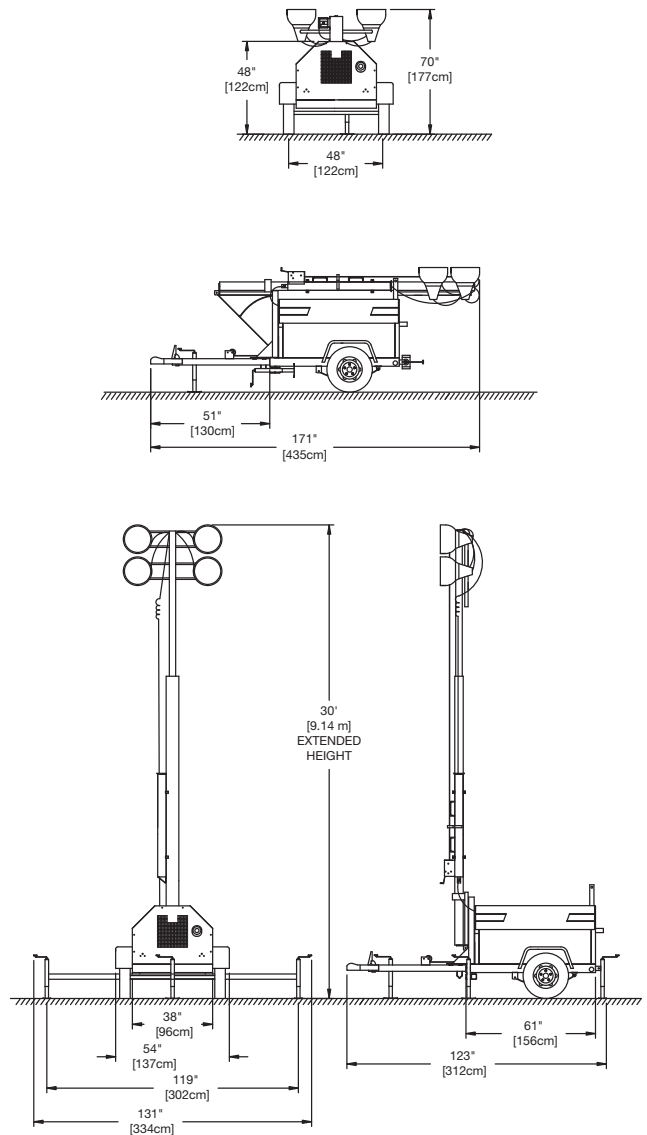
Features

- Dual self-braking winch design for fast and easy tower erection and extension.
- 30 ft (almost 10 m) light height at full extension for excellent illumination at long distances.
- 360 degree tower rotation to provide pin-point light positioning at your work site.
- 4,000 Watts of light - enough to illuminate 7-1/2 acres.
- Quiet 71 dBA sound levels at 23 feet (7 m).
- Excellent fuel economy providing up to 60 hours of run time per tank of fuel.
- Maintenance-friendly electrical assemblies make troubleshooting, service and repair a breeze.
- 3 cylinder diesel engine powers a brushless self regulated type generator.
- Centerpoint lifting bracket and fork lift pockets make transport easy.
- Compact design allows up to 10 units per truck load.
- Engine protection includes high water temperature and low oil pressure shutdowns.
- Cabinet is protected with a durable, fade resistant, polyester powder coat finish.

Specifications

Lamps	Metal halide 4 x 1,000 W
Generator	Brushless 60 Hz, 6.0 kW
Engine	Kubota diesel 13.6 hp
Fuel capacity	30 gal (114 L)
Wheel size	13" (33 cm)
Axle rating	2,000 lbs (907 kg)
Tongue weight travel position	130 lbs (59 kg)
Total weight no fuel	1,760 lbs (798 kg)

Dimensions



For more information, product demonstration, or details on purchase, lease and rental plans, please contact your local Genie distributor.



GeneratorJoe

4016 Quartz Drive
 Santa Rosa, CA 95405
 Phone: 707 539-9003
 Fax: 707 539-5212
 Email: sales@generatorjoe.NET
 Web www.generatorjoe.NET

Effective Date: January, 2008. Product specifications and prices are subject to change without notice or obligation. The photographs and/or drawings in this document are for illustrative purposes only. Refer to the appropriate Operator's Manual for instructions on the proper use of this equipment. Failure to follow the appropriate Operator's Manual when using our equipment or to otherwise act irresponsibly may result in serious injury or death. The only warranty applicable to our equipment is the standard written warranty applicable to the particular product and sale and we make no other warranty, express or implied. Products and services listed may be trademarks, service marks or trade-names of Terex Corporation, Genie Industries, Inc. and/or their subsidiaries in the U.S.A. and many other countries. All rights are reserved. Terex® is a registered trademark of Terex Corporation in the U.S.A. and many other countries. Genie® is a registered trademark of Genie Industries, Inc. in the U.S.A. and many other countries. Genie is a Terex Company. © 2008 Terex Corporation.