



**GeneratorJoe**

**AL4000**

**Light Tower**

4016 Quartz Drive  
Santa Rosa, CA 95405  
Phone: 707 539-9003  
Fax: 707 539-5212  
Email: [sales@generatorjoe.NET](mailto:sales@generatorjoe.NET)  
Web [www.generatorjoe.NET](http://www.generatorjoe.NET)

LIGHT TOWER  
**AL4000**



# Light Tower AL4000



# GeneratorJoe

## Features

- Full sized, 30 ft (9.1 m) extended height floodlight tower illuminates 7-1/2 acres.
- Galvanized tower is 360° rotatable for easy aiming from the ground.
- Winch handle ergonomically positioned for easy raising and lowering. Winch drum is inside cabinet. Electric winch available.
- Light fixtures mount securely on mast for travel or can be left on crossarm.
- Pallet pockets and lifting eye make unit easier to load and unload.
- Plug-in ballasts are installed in galvanized steel boxes.
- Light fixtures plug into weatherproof receptacle box with UL and CSA approved connectors.
- Retractable power cord automatically recoils into protective sleeve to prevent damage when raising, lowering and moving tower.
- Control panel located inside cabinet, protected from the elements.

## Specifications

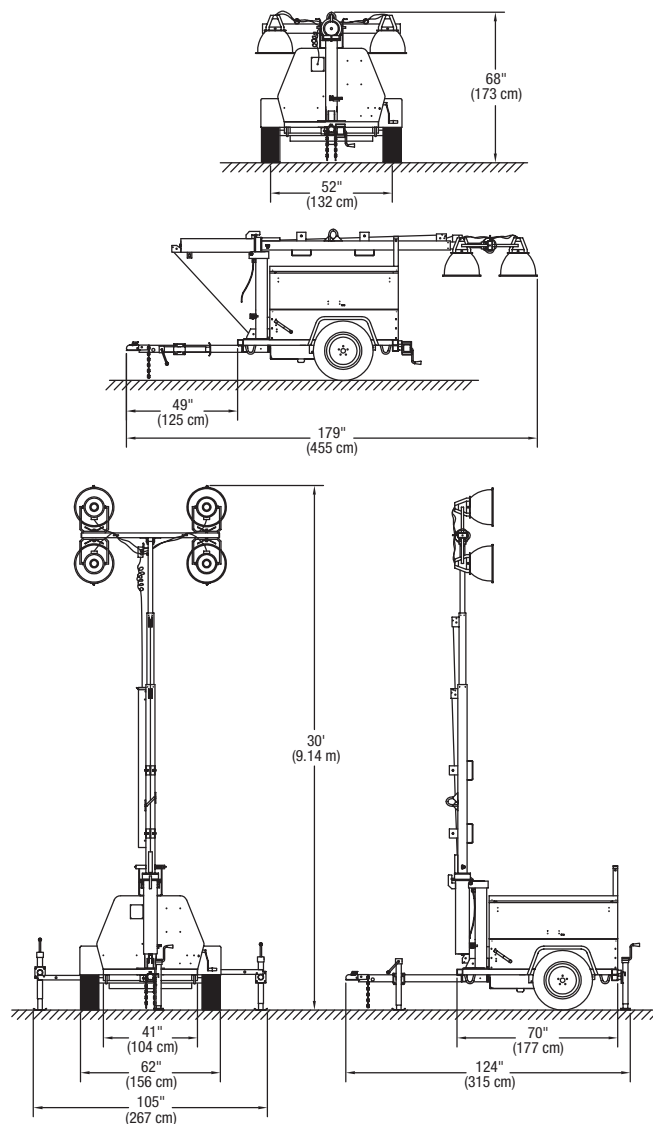
Lamps	Metal halide 4 x 1,000 W
Generator	Brushless 60 Hz, 6.0 kW
Engine	Kubota diesel 13.6 hp
Fuel capacity	30 gal (114 L)
Wheel size	15 in (38 cm)
Axle rating	3,500 lbs (1,588 kg)
Tongue weight travel position	100 lbs (45 kg)
Total weight no fuel	2,050 lbs (930 kg)



# GeneratorJoe

4016 Quartz Drive  
 Santa Rosa, CA 95405  
 Phone: 707 539-9003  
 Fax: 707 539-5212  
 Email: sales@generatorjoe.NET  
 Web www.generatorjoe.NET

## Dimensions



For more information, product demonstration, or details on purchase, lease and rental plans, please contact your local Genie distributor.